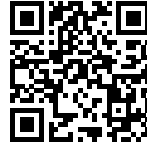


Sink KE Gun Metal

Kitchen Sinks

Code: 2153 856



DETAILS

Coloring Gun Metal

Edge/Installation Type Undermount

Finish PVD

Material AISI 304 stainless steel

Texture Foster brushed

Base 40 cm

Dimensions 380x440 mm

Standard fittings Fixing hooks, gasket, drain, overflow and siphon, boxed packing

Mixer holes No standard holes

Built-in hole [View technical data sheet](#)

Drainer No

Width 38 cm

Bowl dimension 340x400mm

Number of bowls 1 bowl

Waste fitting 3,5" drain

FEATURES

Gun Metal The Gun Metal finish is obtained by treating steel with a physical process called PVD (Physical Vacuum Deposition) which deposits particles of noble metals on the surface. The result is a unique and refined aesthetic effect, and an improvement of the mechanical properties of the steel which is more resistant to impact and scratches.

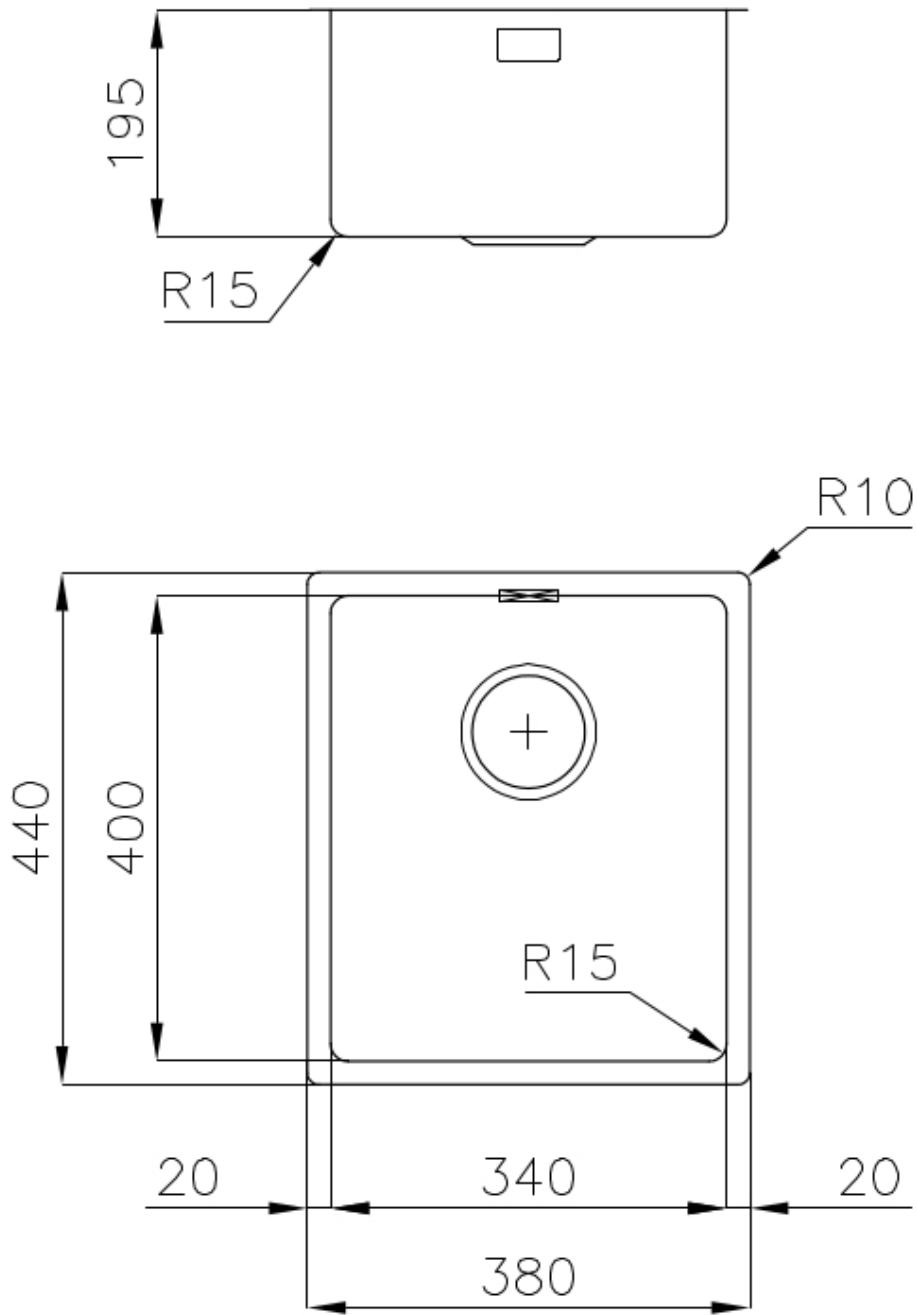
High thickness 1mm thick steel. A significant thickness, which guarantees the maximum sturdiness and durability.

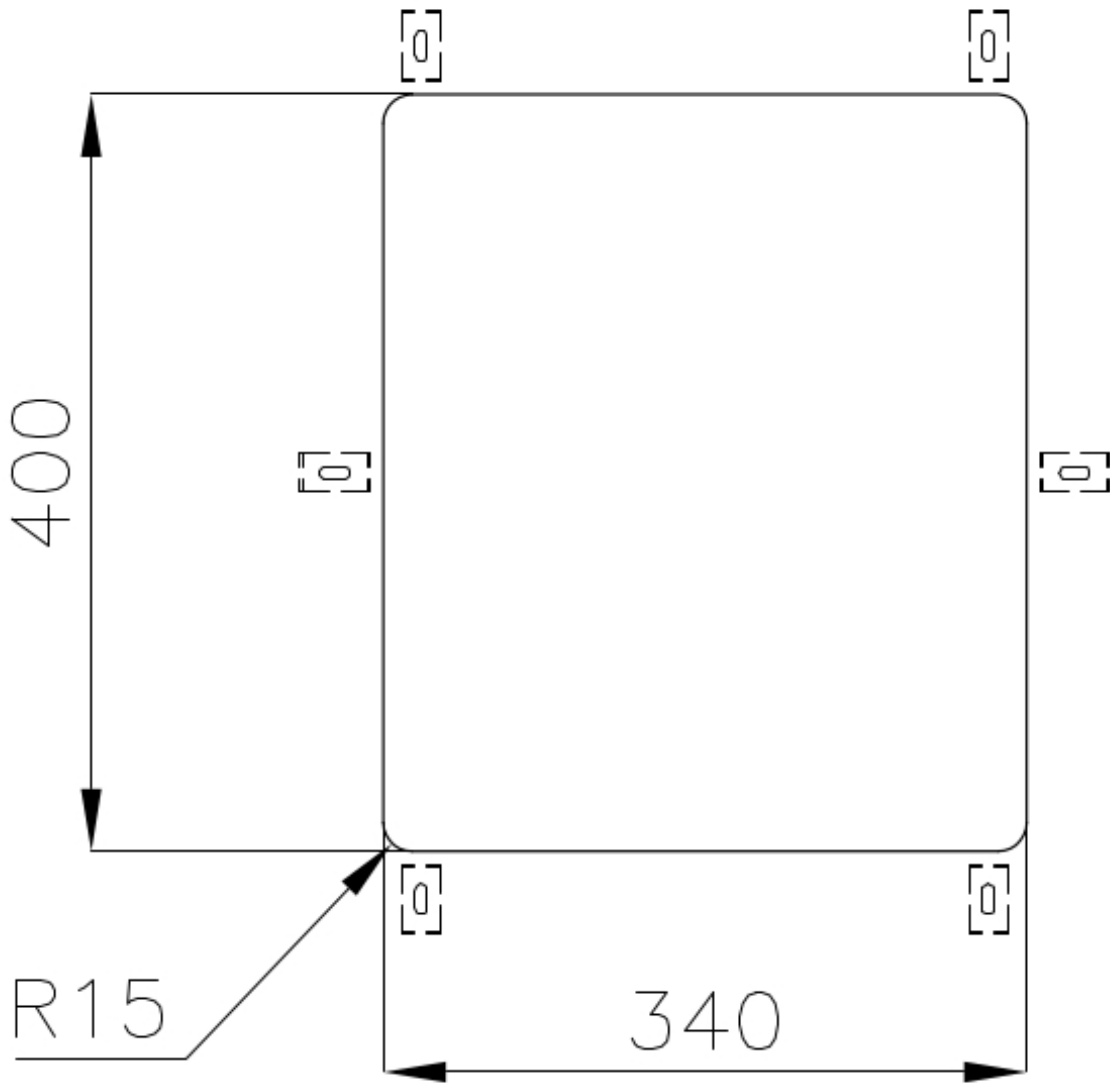
Basket 3,5" waste fitting The drain is equipped with a large 3.5" drain, with the practical basket cap that prevents the discharge of solid parts.

Perimetral overflow The overflow is always a security on the Foster sinks that prevents the overflow of water in case of oversights. The perimeter drain solution improves aesthetics thanks to its square and essential shape.

Small radius Bowls with squared shapes with a modern design and an increased capacity, for a minimal aesthetics connected with an extreme practicality.

TECHNICAL DATA





Cut out size
Dimensioni per foratura top

GALLERY



OPTIONAL ACCESSORIES



Glass chopping board
8631 300



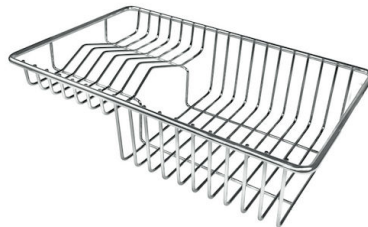
HPDE Chopping board
8657 001



HPDE Twin chopping board
8644 101



Stainless steel basket
8611 000



Stainless steel plate rack
8100 303
* only in combination with the accessory
8644 101



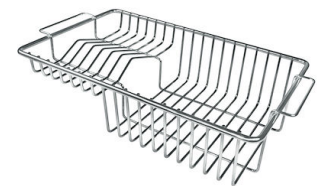
White bowl
8153 100



**Graters kit with ring-holder and
food collection tray**
8159 101
* only in combination with the accessory
8644 101



Stainless steel perforated tray
8151 000
* only in combination with the accessory
8644 101



Stainless steel plate rack
8100 201

RECOMMENDED PAIRINGS



Mixer Tap Omega Gun Metal
8497 856



Mixer Tap Skin Gun Metal
8424 856

OPTIONAL AUTOMATIC WASTE FITTINGS



Gun Metal automatic waste fitting
8407 110



Space Push Gun Metal automatic waste fitting
8407 120